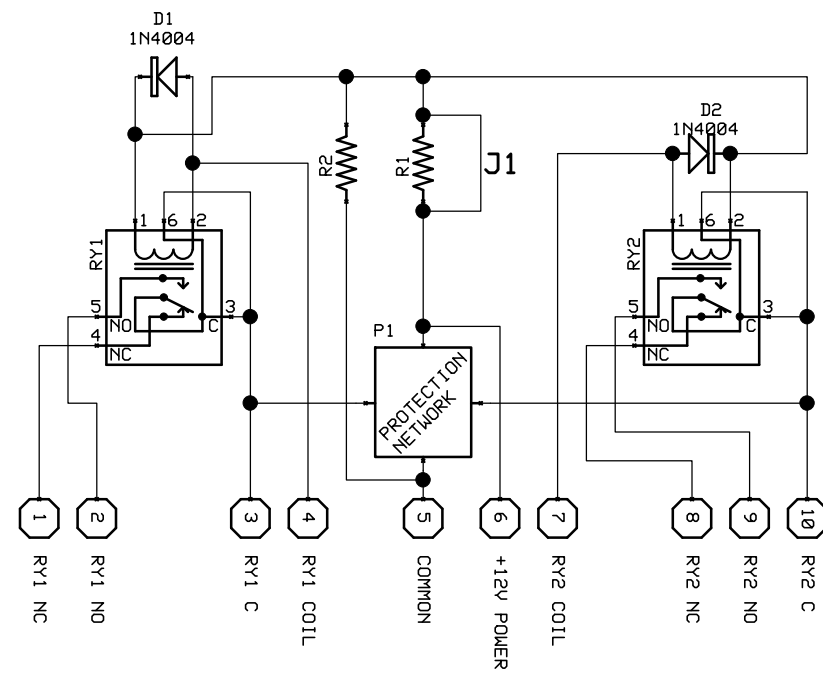


RELAYS - for PULL DOWN COIL CONTROL
R1 & R2 NOT INSTALLED

RELAYS - for PULL UP COIL CONTROL
INSTALL R2, CUT FOIL for J1 (BACK OF R1)
ALSO, REVERSE DIODES D1 & D2

IF +24V RELAYS ARE INSTALLED, PIN 6 IS +24V



AIRCRAFT EXTRAS, Inc.
SCHEMATIC DIAGRAM
RELAY BOARD 20A
11/1/18 Rev-